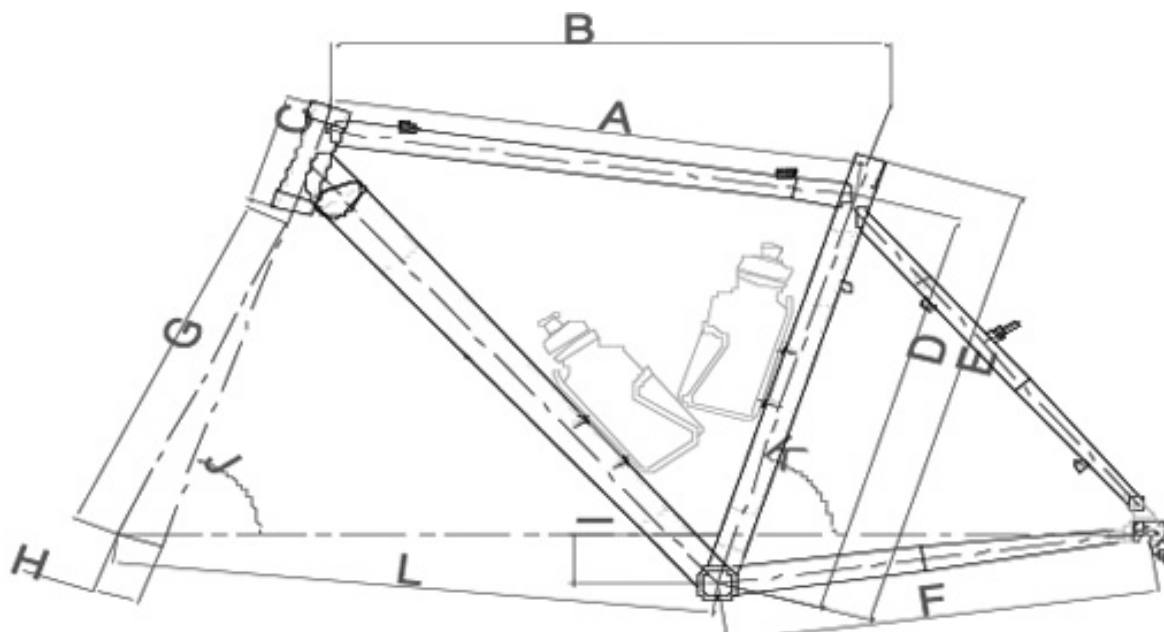


Caribou Custom Frame Order Form

Company Name: _____	Tel: _____	Fax: _____
Address: _____		
Email: _____		
Website: _____		
Contact Person: _____		

Type of Frame

Type: _____	Material: _____	Size: _____
-------------	-----------------	-------------



Your Geometry

<input type="text" value="<A> Top Tube Length"/>	<input type="text" value=" Effective Top Tube"/>	<input type="text" value="<C> Head Tube Length"/>	<input type="text" value="<D> Seat Tube Length (C-C)"/>
<input type="text" value="<E>SeatTube Length (C- T)"/>	<input type="text" value="<F> C. Stay Length"/>	<input type="text" value="<G> Fork Length"/>	<input type="text" value="<H> Fork Rake"/>
<input type="text" value="<I>BB Height (Drop)"/>	<input type="text" value="<J> Head Tube Angle"/>	<input type="text" value="<K> Seat Tube Angle"/>	<input type="text" value="<L> Front Center"/>
<input type="text" value="Seat Post (OD)"/>	<input type="text" value="Head Set model name"/>		
Use	Wheel size	Tire size	Crank Length

Frame Construction

Tig	Dropout Type	Lugged	Wishbone
Smooth Welded	Straight Stays	Curved Stays	

Final Finishing

Type: _____	Color: _____	Decal color: _____
-------------	--------------	--------------------

*Standard braze-ons include two pairs of bottle bosses, brake and derailleur cable stops.
Road frames also include shift bosses or threaded shift stop.

Please fill in form and fax to: +886 4-26822139